

# MOL

## Terminal Tractor

Model: YT200 4x2



Model: YM200



### Engine

Make : Cummins.Type : B 180 Euro 2  
 Max. output : 133 Kw [180 HP] at 2.500 rpm.  
 Max. torque : 840 Nm at 1.500 rpm. Displacement : 5,88 lit.  
 Bore & stroke : 102 x 120 mm. Cylinders : 6 cylinders in line  
 Cooling system : Water cooled. Aspiration : Turbocharged and aftercooled.

### Transmission

Type : Allison automatic transmission with torque converter.  
 Model : MD3060P Speeds : 4 forward, 1 reverse [world series push button]  
 Ratio's : 3,49-1,86-1,41-1,00 [Rev.:5,03]

### Front axle

Model : Daf steer-axle. Capacity : 11.000 Kg. [at 20 Km/h]

### Rear axle

Model : Kessler drive axle, double reduction  
 Capacity : 38.000 Kg. [at 20 Km/h]

### Front suspension

Type : Parabolic leaf-springs and double-acting shock absorbers.

### Rear suspension

Type : Directly mounted to chassis.

### Tyres

Front : Single 11R22,5. Rear : Dual 11R22,5

### Wheels

22,5 x 7,5 discwheel 10-hole

### Brakes

Brakes with air-pressure, independent front and rear operated brakes.  
 Parking brake with spring brake cylinders working on the rear wheels.  
 Air-pressure connections for coupling of the semi-trailer.  
 Air drying system. Air tanks: cap. 120 lit.

### Steering

Hydrostatic power steering system with priority valve and emergency steering property. Steering cylinder on front axle.

### Cab

One-man cab with forward facing drivers position. Rear sliding door.  
 Right-hand drive position. Good visibility, safety glass.  
 Air-suspended and adjustable driver seat. 180° Swivel  
 Engine dependant heating system with electric blower.  
 Adjustable steering column. Removable dashboard with water temperature, fuel-level gauge, air pressure, rpm and hour-meter.  
 Two-speed windscreen wiper on front window. Two large exterior mirrors.  
 Floor is covered with a noise reducing rubber mat.

### Fifth wheel

Type : 2" fifth wheel Hydraulic operated by two double-acting hydraulic cylinders. Capacity : 34.000 Kg. Unlocking by air, operated from the cab.

### Hydraulic system for fifth wheel

Hydraulic valve controlled from inside the cab to lift-lower the fifth wheel.

### Electricity

24 Volt negative ground. 2 Batteries 180 Ah. 24 Volt starter.

### Lighting

Headlights; tail lights, stop lights, direction indicators, fifth wheel back-up light and rotating beacon light.

### Frame

Welded construction. Steps and walkways with non-slip surfaces.

### Exhaust

Muffler with vertical exhaust.

### Fuel tank

1 fuel tank Capacity : 200 lit.

### Options

Manufacturer	Model	Displacement	Kw [Hp]	rpm	Torque[Nm]	rpm
VOLVO	TAD720VE	7,2 Lit.	157[213]	2.300	769	1.400
SCANIA	DC9	9,0 Lit.	181[244]	2.200	864	1.600

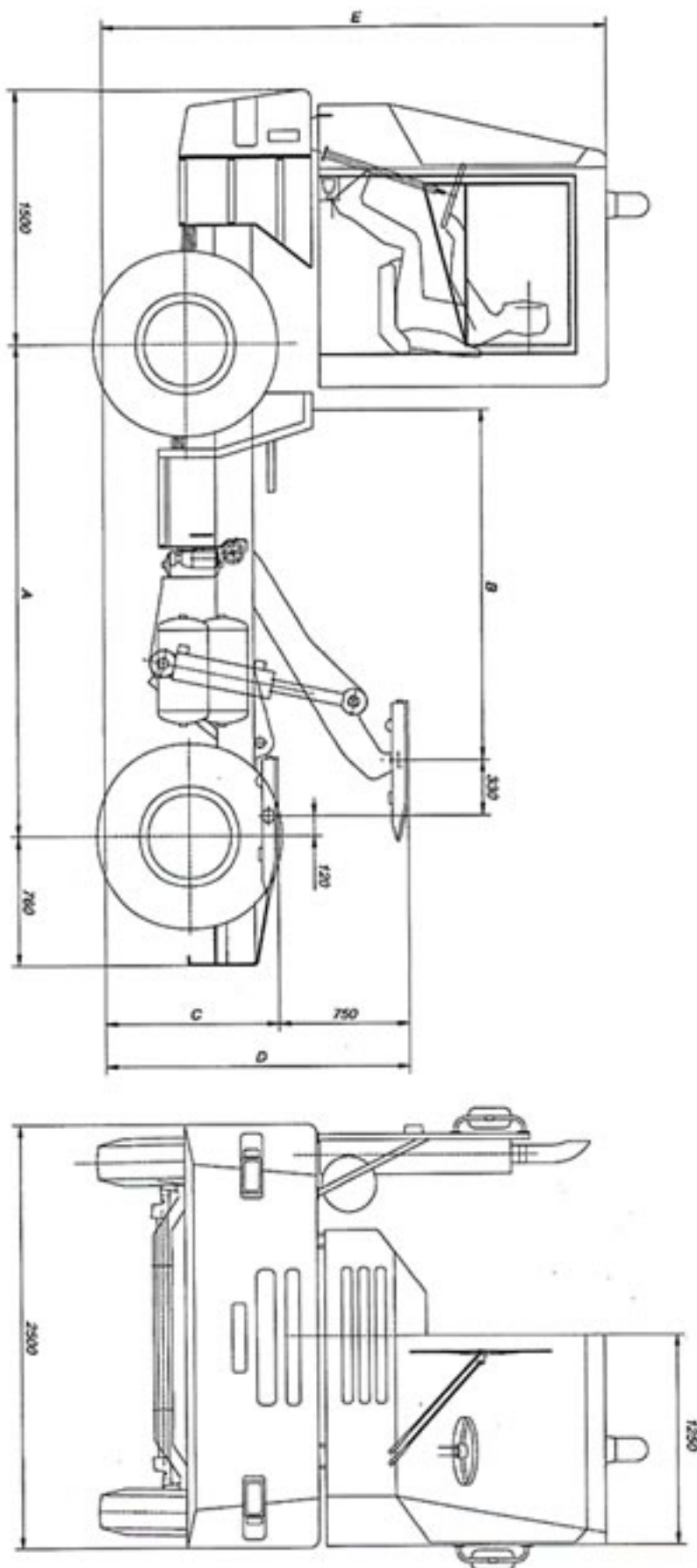
Clark Powershift transmission type HR32411, 4 speeds forward & reverse.

### Cab Options

- Air suspension with rubber stop
- Mudfenders with flaps on rear wheels
- Rubber mudfenders
- Steel mudfenders
- Steelplate protection for air, fuel - and hydraulic tank
- Side door with step in combination with rear sliding door
- Air conditioning
- Windscreen wiper on rear window
- Side Door Cab Option

# MOL

## Terminal Tractor



A	B
2900	2050
3100	2250
3300	2450

Standard  
UK

Banden	C	D	E
295/60R22.5	940	1690	2890
275/70R22.5	960	1710	2910
11R22.5	1000	1750	2950
295/80R22.5	1000	1750	2950

LAN/12/256

Your local supplier



# MOL

Munro House  
Ringtail Court  
Burscough Industrial Estate  
Burscough  
Lancashire L40 8JB  
Phone Line 01704 897003  
Fax Line 01704 896051